

**BRIGHT SERIES**  
COB LED FLOOD LIGHT



RGTGD-20



RGTGD-30



RGTGD-50



RGTGD-100



**PRODUCT DESCRIPTION:**

Bright Series COB LED Flood Lights are efficient, energy-saving replacements for traditional halogen fixtures. Each luminaire features an integrated listed driver, potted within a separate compartment to ensure cool operation and longer lifetime.

**FEATURES:**

- Wide beam distributions available
- Various color temperature available
- Universal, voltage-specific available.
- LM100 reports available
- Integrated inner driver fixture is dirt free
- 3 year warranty

**MOUNTING:**

All models come standard with wire and fitting for easy installation

See page 2 for dimensions




**MODEL SELECTION**

**BRIGHT SERIES**  
COB LED FLOOD LIGHT

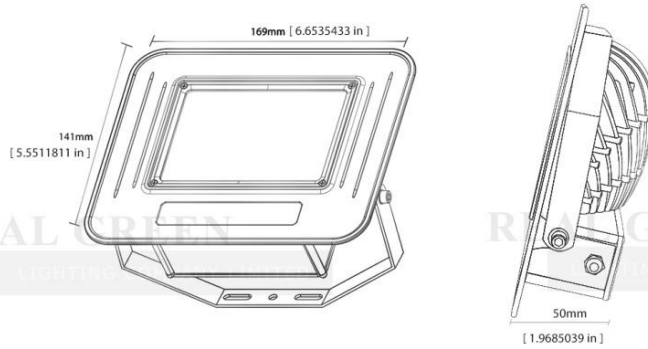
FAMILY	WATT	LENS	CCT	FINISH	Diameter	WORKING VOLTAGE	CONTROLS
BRIGHT SERIES COB LED FLOOD LIGHT	20W	Tempered Glass	3000K	Dull Polish	169*141*50 mm	AC220V - AC240V (110V-120V, 12V-24V)	CE Driver
	30W		5000K		206*166*55 mm		
	50W		6500K		257*207*70 mm		
	100W				324*258*90 mm		

**ACCESSORIES**

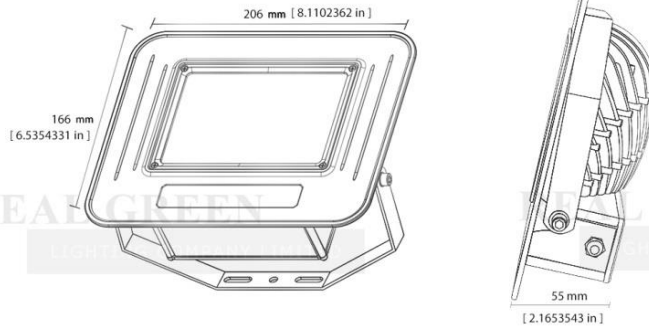
Name	SIZE	DESCRIPTION	ACCESSORIES IMAGE
PIR SENSOR	60*45*160mm	This product is high sensitivity detector. It gathers automatic, convenient, safe, energy-saving, practical functions.	

**DIMENSIONS:**

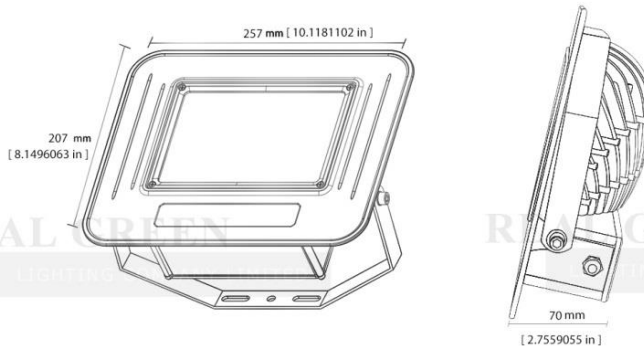
RG-TGD20



RG-TGD30



RG-TGD50



RG-TGD100

